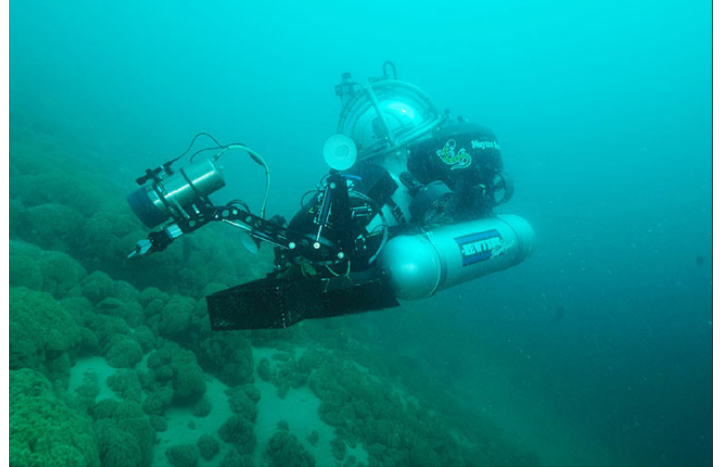
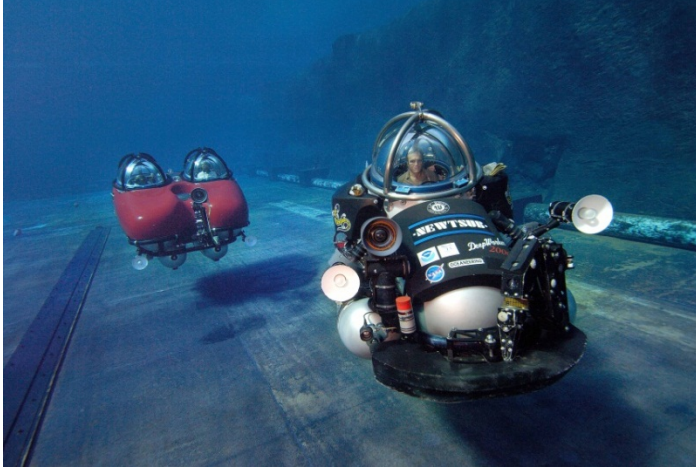




DeepWorker 2000



The one-atmosphere **DeepWorker 2000** submersible allows a pilot to go deeper and spend more time below the surface than traditional diving methods. The compact and lightweight **DeepWorker 2000** is easy to operate and can be piloted with minimal training. Horizontal and vertical thrusters give unparalleled manoeuvrability; the **DeepWorker 2000** can hover and 'fly' underwater. **DeepWorker 2000** is available in a 3300ft (1000m) configuration as a **DeepWorker 3000**.

Submersible Specifications

General:

- 2000 foot (600m) depth-rated
- 1 Pilot
- A516 grade 70 steel with 316 stainless hatch rings
- Weight in air 4000 lbs
- Length: 8.25 ft. (2.4 m)
- Beam: 5.5 ft. (1.7 m)
- Height: 5.7 ft. (1.75 m)
- Payload: 250 lbs (114 kg)
- Max Speed: 3 knots

Life Support:

- Redundant oxygen systems, total capacity 80 man- hours
- Carbon dioxide removed via scrubbers
- Emergency breathing gas via air BIBS

Propulsion:

- Two main horizontal thrusters, plus two angled vertical/lateral thrusters
- 80 cu.ft ballast air provided for surface buoyancy/trim

Viewing:

- 26" dia. acrylic dome; serves as entry hatch

Communication:

- Surface: ICOM VHF
- Sub-surface: UQC and 27 KHZ Acoustic

Power Requirement:

- 208-240 3 Phase, 50A, 50-60HZ

Umbilical:

- Vehicle may be operated tethered or untethered

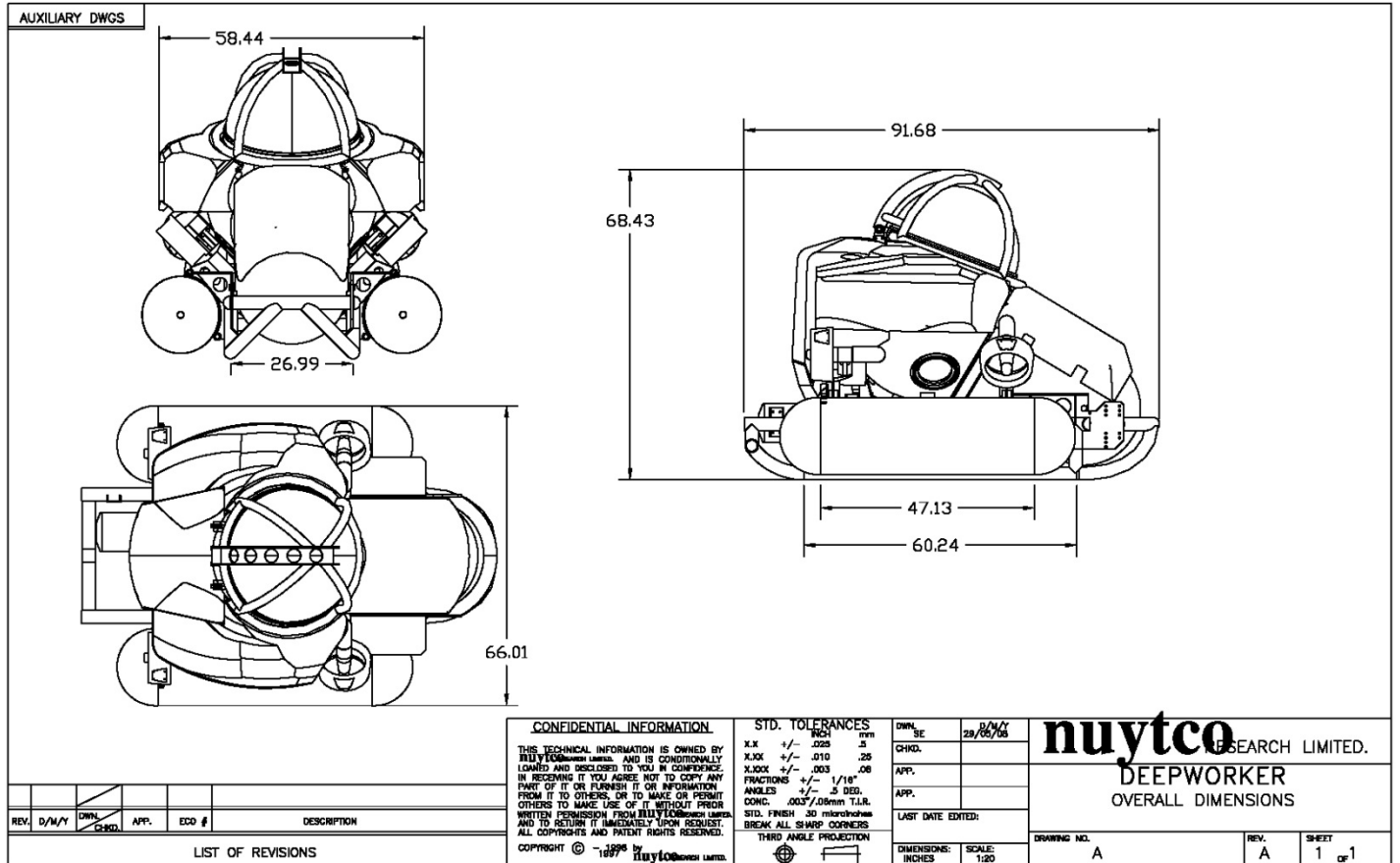
Nuytco Research Ltd

216 East Esplanade, North Vancouver
B.C. V7L 1A3 Canada

Phone: 604 980 6262
Email: nrl@nuytco.com
Web: www.nuytco.com



DeepWorker 2000



Emergency Equipment:

- Drop weight jettison capability
- Hull jettison capability
- Emergency battery (for comms and CO2 scrubber)

Optional Equipment:

- HD Camera, H.264 (Blu-Ray Codec) camera
- SONAR, modified Imagenex, standard scan and ultra-high resolution short range scan
- HydroNwt Manipulators, standard reach 5 feet

- Tracking Beacon
- Strobe/RF/Iridium beacon
- Electro magnet
- Magnetometer
- Burial/ excavation pumps
- Sampling equipment
- Precision laser measuring system
- Pipe tracker
- Lift bag salvage module
- U/W cutting module
- Acoustic thickness/CP/EMF Probe
- Other optional equipment available

Nuytco Research Ltd

216 East Esplanade, North Vancouver
B.C. V7L 1A3 Canada

Phone: 604 980 6262
Email: nrl@nuytco.com
Web: www.nuytco.com